

VIVIAN



A colorful explosion and a timeless model! This sweater combines our Mistral and Vivienne yarns for a versatile and very elegant result.



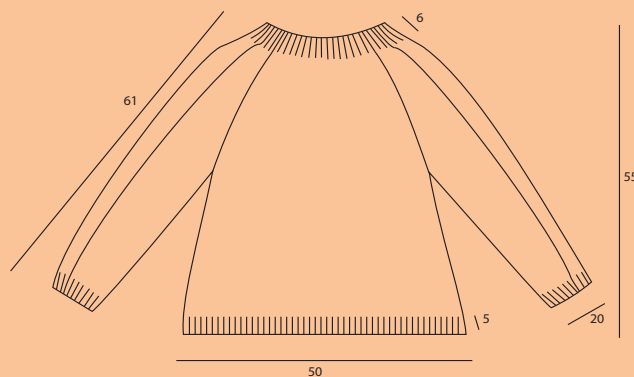
Yarn: MISTRAL col. 3785 orange, VIVIENNE col. 1767 orange

Needles: n. 4 and 4,5

Weight: 410 g/ 14,46 oz. (6 balls MISTRAL, 5 balls VIVIENNE)

Size: M

Stitches Used: 2x2 Rib, Tubular, Peacock Stitch, Stockinette Stitch



Explanation Peacock Stitch:

Work over a multiple of 18 stitches.

1st - 3rd row: knit.

2nd row and all even rows: purl.

5th row: *p2tog2 3 times, (knit1, yo1) repeat the part in brackets 6 times, p2tog2 3 times*, repeat from *to*.

7th row: repeat from the 1st row.

VIVIAN



Gauge: 10 cm x 10 cm (4 inc. x 4 inc.): 18 stitches and 25 rows.

Size M: for each bigger or smaller size calculate in width 2 cm (0,75 in.) more or less, in our gauge it corresponds to 4 stitches; calculate in height 2 cm (0,75 in.) more or less, in our gauge it corresponds to 5 rows.

KNITTING THE BACK

Using needle n. 4 and the two yarns, cast on 98 stitches and work in **Tubular** for 2 rows, then continue in **2x2 Rib** for 14 rows.

At a total height of 5,5 cm (2,16 in.), using needles n. 4,5, work in **Stockinette Stitch**.

At a total height of 36 cm (14,17 in.), for raglan, bind off at sides 2 stitches every 4 rows once, 2 stitches every 2 rows 3 times and 2 stitches every 4 rows 10 times.

At a total height of 58 cm (22,83 in.), bind off the 42 remaining stitches.

KNITTING THE FRONT

Using needle n. 4 and the two yarns, cast on 98 stitches and work in **Tubular** for 2 rows, then continue in **2x2 Rib** for 14 rows.

At a total height of 5,5 cm (2,16 in.), using needles n. 4,5, work in **Stockinette Stitch**.

At a total height of 36 cm (14,17 in.), for raglan, bind off at sides 2 stitches every 2 rows 6 times, 2 stitches every 4 rows 8 times.

Simultaneously, at a total height of 50 cm (19,68 in.), for the neckline, bind off the 26 central stitches and continue binding off at neck's sides 2 stitches every 2 rows 4 times.

KNITTING THE SLEEVES

Using needle n. 4 and the two yarns, cast on 50



VIVIAN



stitches and work in **Tubular** for 2 rows, then continue in **2x2 Rib** for 14 rows.

At a total height of 5,5 cm (2,16 in.), using needles n. 4,5, work as follows: 15 stitches in **Stockinette Stitch**, purl1 (on the wrong side this stitch becomes knit1), 18 stitches in **Peacock Stitch**, purl1 (on the wrong side this stitch becomes knit1), 15 stitches in **Stockinette Stitch**.

Continuing with this working, at a total height of 8 cm (3,15 in.), start increasing at sides 1 stitch every 6 rows 13 times.

At a total height of 39 cm (15,35 in.), for raglan, bind off at sides 2 stitches every 4 rows once, 2 stitches every 2 rows 3 times and 2 stitches every 4 rows 10 times.

At a total height of 61 cm (24,00 in.), bind off the 20 remaining stitches.

Make the second sleeve as the first one.

At a total height of 5,5 cm (2,16 in.), using needles n. 4,5, work as follows: 15 stitches in **Stockinette Stitch**, purl1 (on the wrong side this stitch becomes knit1), 18 stitches in **Peacock Stitch**, purl1 (on the wrong side this stitch becomes knit1), 15 stitches in **Stockinette Stitch**.

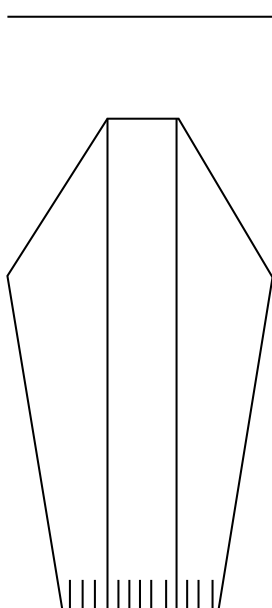
Continuing with this working, at a total height of 8 cm (3,15 in.), start increasing at sides 1 stitch every 6 rows 13 times.

At a total height of 39 cm (15,35 in.), for raglan, bind off at sides 2 stitches every 4 rows once, 2 stitches every 2 rows 3 times and 2 stitches every 4 rows 10 times.

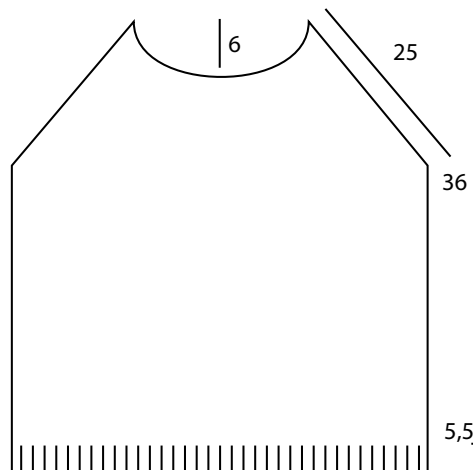
FINISHING

Using needle n. 4 and the two yarns, cast on 50 stitches and work in **Tubular** for 2 rows, then continue in **2x2 Rib** for 14 rows.

32



61



6

25

36

5,5

19

