

SHADES OF MOHAIR



The classic and elegant Vivienne under a new sporty outfit, by adding wool edges. A sophisticated striped effect created by different Vivienne shades blended together so to generate delicate nuances.



Yarn: VIVIENNE col. 2475 pink, col.1115 sky blue, col. 884 blue, col. 5025 bordeaux, MISTRAL col. 1752 cloud.

Vivienne yarn used, it's worked triple and with mixed colors. Mistral yarn, instead, it's worked simply.

Needles: n. 3 e n. 4,

Circular Needles: n. 3,5

Weight: 420 g/11.90 oz (1 ball of Mistral col. cloud, 3 balls of Vivienne col. bordeaux, 4 balls col. blue, 4 balls col. sky blue, 5 balls col. pink)

Tg. 42

Stitches used: 2x2 Rib, Peacock Stitch, Drop Stitch, Stockinette Stitch

Explanation of Peacock Stitch

work over a multiple of 18 stitches

1st - 3rd row: knit

2nd row and all even number rows: purl

5th row: *purl 2 together 3 times, (knit 1, yarn over) repeat the part in the brackets 6 times, purl 2 together 3 times*, repeat always from*to*

7th row: repeat from 1st row

Explanation of Drop Stitch

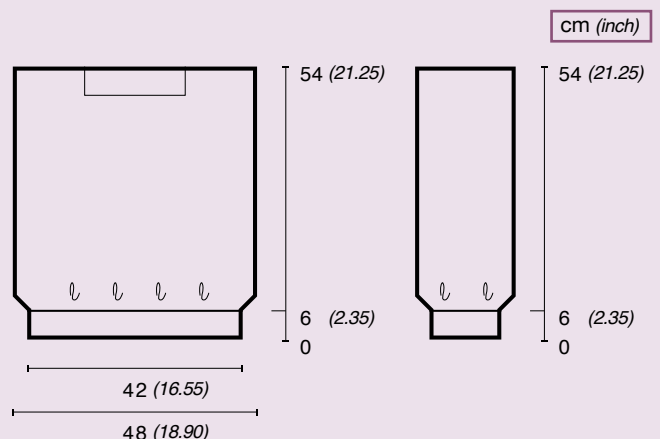
1st - 2nd - 3rd row: knit

4th row: purl triple yarn over (= wrap the yarn around the needle 3 times before purling a stitch)

5th row: purl dropping the extra wrap off the needle from the previous stitch (the stitches will be elongated)

6th row: purl

7th row: repeat from the 1st row



Gauge: 10 cm x 10 cm (4 in x 4 in) = 21 stitches and 32 rows

Size 42: for each bigger or smaller size calculate in width 2 cm (0.75 in) more or less, in our gauge it corresponds to 4 stitches; calculate in height 2 cm (0.75 in) more or less, in our gauge it corresponds to 6 rows.

SHADES OF MOHAIR



Knitting the back

To make the border, using needles n. 3 and Mistral yarn, cast on 94 stitches, work in **2x2 Rib** for 8 rows, then continue with 3 plies of Vivienne col. blue for 4 rows, then using Mistral yarn for 8 rows.

Using Vivienne yarn (2 plies col. bordeaux and 1 ply col. pink), and n. 4 needles, leaving always two knit stitches for the border at each side, make the **Peacock Stitch** pattern, making two repetitions (12 rows), then make 2 repetition of the drop stitch pattern (12 rows).

Using the Vivienne yarn (2 plies col. blue and 1 ply col. sky blue), continue in **Peacock Stitch** for 12 rows, then in the **Drop Stitch** for 12 rows.

Change the color to Vivienne yarn (2 plies col. pink and 1 ply col. bordeaux), and continue with the same process of working the stitches. Then change the color again to Vivienne yarn (2 plies col. sky blue and 1 ply col. blue) and make the same process of working stitches.

Continue with Vivienne yarn (2 plies col. pink and 1 ply col. sky blue), making the same process: work in **Peacock Stitch** for 12 rows, then in **Drop Stitch** for 12 rows. Bind off.

Knitting the front

To make the border, using needles n. 3 and Mistral yarn, cast on 94 stitches, work in **2x2 Rib** for 8 rows, then continue with 3 plies of Vivienne yarn col. blue for 4 rows, then using Mistral yarn for 8 rows.

Using Vivienne yarn (2 plies col. bordeaux and 1 ply col. pink), and n. 4 needles, leaving always two knit stitches for the border at each side, make the **Peacock Stitch** pattern, making two repetitions (12 rows), then make 2 repetition of the **Drop Stitch** pattern (12 rows).

Using the Vivienne yarn (2 plies col. blue and 1 ply col. sky blue), continue in **Peacock Stitch** for 12 rows, then in the **Drop Stitch** for 12 rows.

Change the color to Vivienne yarn (2 plies col. pink and 1 ply col. bordeaux), and continue with the same process of working the stitches. Then change the color again to Vivienne yarn (2 plies col. sky blue and 1 ply col. blue) and make the same process of working stitches.

Continue with Vivienne yarn (2 plies col. pink and 1 ply col. sky blue), work in **Peacock Stitch** for 12 rows, then in **Drop Stitch** for 6 rows. For the neckline, bind off 46 central stitches, and continue with two parts separately, work other 6 rows in **Drop Stitch**, bind off 24 stitches for side at the border of the neckline.

Knitting the sleeves

To make the border, using n. 3 needles and Mistral yarn, cast on 44 stitches, work in **2x2 Rib** for 8 rows, then continue with 3 plies of Vivienne yarn col. blue for 4 rows, then using Mistral yarn for 8 rows.

Using Vivienne yarn (2 plies col. bordeaux and 1 ply col. pink), and n. 4 needles, leaving always two knit stitches for the border at each side, make the **Peacock Stitch** pattern,

making two repetitions (12 rows). Then make 2 repetition of the **Drop Stitch** pattern (12 rows), increasing on the first and third row 1 stitch for side. At this point you should end up with 52 stitches.

Using Vivienne yarn (2 plies col. blue and 1 ply col. sky blue), work in **Peacock Stitch** for 12 rows increasing 4 on the first row; then work in **Drop Stitch** for 12 rows, increasing 1 stitch for side on the first and third row. At this point you should end up with 64 stitches.

Change color to Vivienne yarn (2 plies of col. pink and 1 ply of col. bordeaux), work in **Peacock Stitch** for 12 rows and increase 4 on the first row; then work in **Drop Stitch** for 12 rows, with the same number of stitches. You should end up with 68 stitches.

Using the Vivienne yarn (2 plies col. sky blue and 1 ply col. blue), work in **Peacock Stitch** for 12 rows, then in drop stitch for 12 rows. Continue with Vivienne yarn (2 plies col. pink and 1 ply col. sky blue), in **Peacock Stitch** for 12 rows, then in drop stitch for 6 rows, then knit 3 rows (garter stitch), and work in **Stockinette Stitch** for 5 rows (purl 1 row and knit 1 row, starting and finishing with purl 1 row). Bind off. Make the other sleeve as the first one.

Finishing:

Sew the shoulder seams. For the neck, using the circular needles n. 3,5 and Mistral yarn, pick up the neckline stitches from the back and from the front, work in **2x2 Rib** for 6 rows, then for 2 rows using Vivienne yarn - 3 plies of col. blue. Bind off. Sew up the side and sleeve seams, sew in the sleeves.

