

ALAGNA



We have been inspired by autumn colors with falling leaves and mountain huts. We imagined a warm sweater, warming us up in front of a fireplace, made with our Nordica wool in combination with Vivienne in mohair / silk.



Yarn: NORDICA col. 207 cream, col. 463 grey, col. 369 brown. VIVIENNE col. 1916 brick, col. 2425 sage.

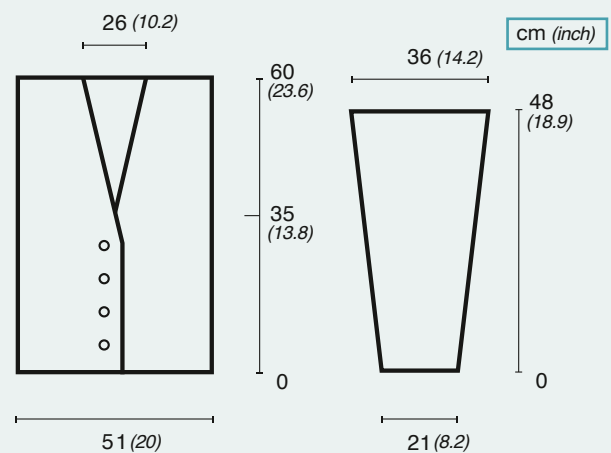
Needles: n. 5

Crochet Hook: n. 4

Weight: 480 g/16,93 oz. (4 balls col. cream, 2 balls col. grey, 3 balls col. brown. VIVIENNE: 3 balls per color).

Size 42

Stitches Used: Tubular, Stockinette Stitch, Garter Stitch, Elongated Stitch, Double Crochet, Reverse Single Crochet.



Explanation Elongated Stitch:

1st- 5th- 6th row: knit.

2nd row: purl.

3th row: knit, wrapping yarn twice around the right needle before pulling out the knit stitch.

4th row: purl, dropping all the yarn over.

7th row: repeat from the first row.

Gauge: 10 cm x 10 cm (4 in. x 4 in.) = 21 stitches and 34 rows.

Size 42: for each bigger or smaller size calculate in width 2 cm (0,75 in.) more or less, in our gauge it corresponds to 4 stitches; calculate in height 2 cm (0,75 in.) more or less, in our gauge it corresponds to 7 rows.

ALAGNA



Knitting the back

Using n. 5 needles and yarn Vivienne col. brick in 3 strings, cast on 88 stitches and work in **Tubular** for 2 rows, then start working in this sequence: 4 rows of **Stockinette Stitch** in yarn VIVIENNE col. brick, worked in 3 strings. 2 rows of **Garter Stitch** working with 1 string of VIVIENNE col. sage + 1 string of NORDICA col. cream. 4 rows of **Stockinette Stitch** working with 1 string of VIVIENNE col. sage + 1 string of NORDICA col. grey. 2 rows of **Garter Stitch** in yarn VIVIENNE col. sage, worked in 3 strings. 6 rows of **Elongated Stitch** working with 1 string of VIVIENNE col. brick + 1 string of NORDICA col. brick. 4 rows of **Stockinette Stitch** working with 1 string of VIVIENNE col. sage + 1 string of NORDICA col. cream. 2 rows of **Garter Stitch** working with 1 string of VIVIENNE col. sage + 1 string of NORDICA col. grey. 2 rows of **Stockinette Stitch** working with 1 string of VIVIENNE col. sage + 1 string of NORDICA col. cream. 2 rows of **Garter Stitch** in yarn VIVIENNE col. sage, worked in 3 strings. 2 rows of **Stockinette Stitch** working with 1 string of VIVIENNE col. sage + 1 string of NORDICA col. cream. 2 rows of **Garter Stitch** working with 1 string of VIVIENNE col. sage + 1 string of NORDICA col. grey. 2 rows of **Stockinette Stitch** working with 1 string of VIVIENNE col. sage + 1 string of NORDICA col. cream. 6 rows of **Elongated Stitch** working with 1 string of VIVIENNE col. brick + 1 string of NORDICA col. brick. 2 rows of **Stockinette Stitch** in yarn VIVIENNE col. brick, worked in 3 strings. 6 rows of **Elongated Stitch** working with 1 string of VIVIENNE col. sage + 1 string of NORDICA col. cream. Always repeat this line, three times. Then start the fourth sequence and make only the first 16 rows, ending up with 4 rows of **Stockinette Stitch** with 1 string of VIVIENNE col. brick + 1 string of NORDICA col. brown. Bind off all the stitches (60 cm/23,62 in. of total height).



Knitting right front

Using n. 5 needles and yarn Vivienne col. brick in 3 strings, cast on 49 stitches and work in **Tubular** for 2 rows, then start working in the same sequence as the back. At a total height of 35 cm (13,78 in.), for the neckline, decrease inside the first 2 stitches, 1 stitch every 4 rows 13 times, 1 stitch every 2 rows 12 times. At a total height of 60 cm (23,62 in.), after making the same line as the back, bind off the remaining 24 stitches for every shoulder.

Knitting left front

Work as for the right front but in inverse direction.

Sleeves

Using s n. 5 needles and yarn Vivienne col. brick in 3 strings, cast on 49 stitches and work in **Tubular** for 2 rows, then start working in the same sequence as the back. At a total height of 7 cm (2,75 in.), increase at sides 1 stitch every 6 rows 5 times, then 1 stitch every 12 rows 4 times. In the sleeve, the lining is repeated twice, then start the third sequence and make 26 rows, ending up with 2 rows of **Stockinette Stitch** with 1 string of VIVIENNE col. sage + 1 string of NORDICA col. cream. Bind off all stitches (40 cm/15,75 in.) of total height). Make other sleeve as first one.



Finishing

Sew the shoulders, hips, underarms and apply the sleeves. For the edge of front and neckline, with n. 4 crochet hook and 1 string of VIVIENNE col. sage + 1 string of NORDICA col. cream, make 1 round of **Double Crochet**. On the right front, for the opening, make 4 buttonholes, missing two stitches and working 2 chains. The buttonholes are made at a distance of 11,5 cm (4,53 in.) from each other. Then make 1 round of **Reverse Single Crochet** and fasten the thread. Apply the buttons.